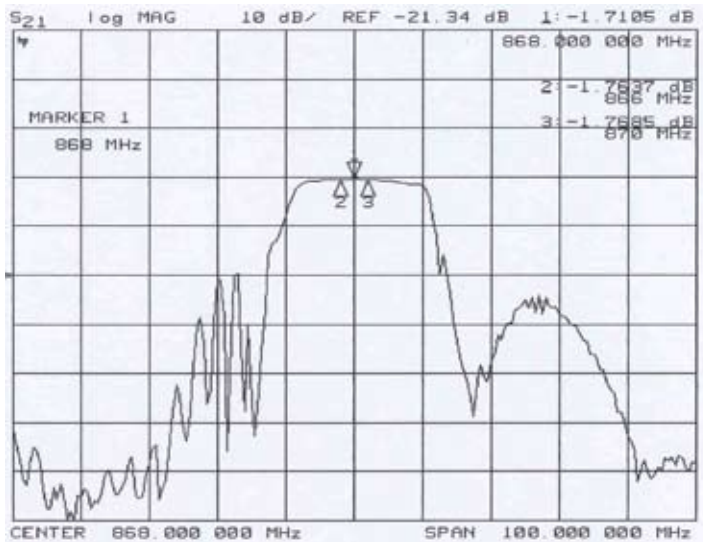
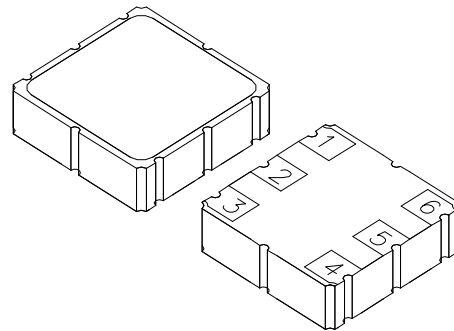


# Model SF1010

## Frequency Response



## Terminal Connection



2, 5 : INPUT, OUTPUT  
1, 3, 4, 6 : GROUND

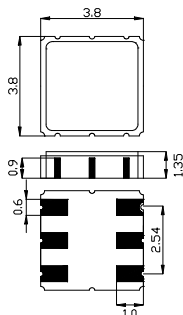
## Maximum Ratings

Item	Unit	Condition	Rating
Maximum DC Voltage	V	-	10
Maximum Input Power	dBm	-	10
Operating Temperature Range	°C	-	-10 ~ +50
Storage Temperature Range	°C	-	-30 ~ +80

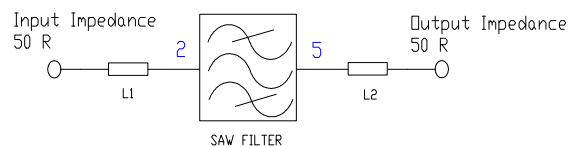
## Electrical Specifications

Item	Unit	Condition	Min	Typ	Max
Center Frequency	MHz	F <sub>0</sub>	868		
Passband Width	MHz	-	F <sub>0</sub> +/- 2.0		
Insertion Loss	dB	Passband	-	2.8	4
Passband Ripple Deviation	dB	Passband	-	1.5	2
Stop Band Rejection	dB	F <sub>0</sub> -300.0 ~ F <sub>0</sub> -40.8 MHz	40	45	-
		F <sub>0</sub> +50.0 ~ F <sub>0</sub> +300.0 MHz	40	45	-
Terminating Impedance	Ω	-	50 // 10nH		

## Package Dimension



## Matching Configuration



L1 = L2 = 10nH

Source / Load Impedance = 50Ω

Ambient Temperature = 25°C

MtronPTI reserves the right to make changes to the product(s) and service(s) described herein without notice. No liability is assumed as a result of their use or application.

Please see [www.mtronpti.com](http://www.mtronpti.com) for our complete offering and detailed datasheets. Contact us for your application specific requirements: MtronPTI 1-800-762-8800.